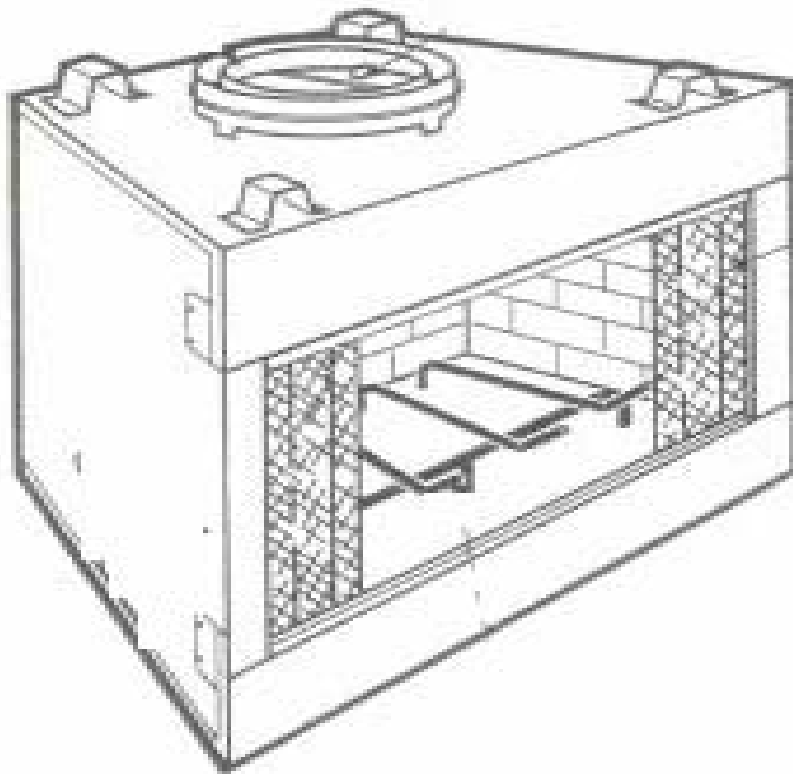


# MAJESTIC

OUTDOOR / INDOOR WOOD FIREPLACES

Model: ODSR36A



OWNERS INSTALLATION & OPERATING INSTRUCTIONS.  
KEEP THESE INSTRUCTIONS FOR FUTURE REFERENCE.

# CONTENTS

**Part 1: Safety Information**

**Part 2: Installation Instructions**

- **Outdoor Installation**
- **Planning Information**
- **Mounting the Fireplace**
- **Framing**
- **Flue Installation**
- **Flue Offset Installation**
- **Positioning, safety Strips, Securing the fireplace**
- **Chase Installation**
- **Clearances**
- **Sidewall Protection**
- **Hearth Installations**

**Part 3: Warranty**

**Part 4: Additional Accessories**

**Part 5: Spare Parts List**

## **Description**

The model ODSR36A is a clean faced solid fuel wood burning fireplace and is approved for Outdoor and Indoor installation when used with the appropriate flue system.

## **Part 1: Safety Information**

Please read these instructions prior to installing and operating this appliance.

**Warning:** This appliance must be installed by a licensed person. This appliance and flue system must be installed in accordance with AS/ ANZ 2918 and the appropriate requirements of the relevant building code or codes.

## **BEFORE INSTALLING YOUR APPLIANCE**

Carefully read and understand all the instructions.

- 1. THIS APPLIANCE IS HOT WHILE IN OPERATION KEEP CHILDREN, CLOTHING AND FURNITURE AWAY, CONTACT MAY CAUSE SKIN BURNS.**
- 2. DO NOT INSTALL IN GARAGE OR NEAR FLAMMABLE FLUID**  
Check with the building inspector for compliance with local codes; a permit may be required.
- 3.** This appliance must be installed using Raypak approved flue kit and installed as per the Australian standard AS/ANZ 2918 codes  
This appliance must be flued directly off the appliance and discharged to atmosphere.
- 4. DO NOT** connect to any duct work to which another appliance is connected.
- 5. DO NOT** connect this unit to a chimney flue that is serving another appliance.
- 6. DO NOT USE CHEMICALS OR FLUIDS TO START THE FIRE.**

7. The flue should be inspected periodically and cleaned if necessary.
8. **DO NOT** store wood, flammable liquids or other combustible materials close to the unit.
9. Contact your local fire authority for information on how to handle a chimney fire. Have a clearly understood plan to handle a flue fire, turn air control to the closed position and call the fire brigade.
10. **DO NOT** tamper with the combustion air control beyond the normal adjustment.
11. **DO NOT** install combustible materials on the fire place surround. This fire place is not designed to be a water tight fireplace. When installing this unit against an external wall, the wall must be finished before setting the unit in place.
12. Always leave the damper in the open position while the unit is in use. Once the required draw is obtained, close mesh screen to protect from sparks that may occur.
13. **DO NOT** install these units into a mobile home or caravan. These units are NOT mobile home approved.

## **Part 2: Installation Instructions**

### **• OUTDOOR INSTALLATION**

**Read this manual prior to beginning this installation and check that you have been provided with the correct components necessary to carry out the installation.**

- 1 Remove all parts from inside the fire box.
- 2 Check outdoor flue kit part number: ODSSFLKT

#### **Contents**

- 1 x 203 x 1220 mm ( 8') Inner stainless steel flue
- 1 x 279 x 1100 mm ( 11') Outer stainless steel flue
- 1 x Stainless Steel Cowl
- 1 x Powder coated vented dress ring . # This vented dress ring will only be required to be used ( situated on top of the fireplace enclosure to provide ventilation within the enclosure ) when the fireplace is in a free standing position and the flue is

exposed above the fireplace housing, this applies for both Indoor and Outdoor installations

**Note:** If this unit is installed outdoors and the flue is to be installed in a chase construction ( see Fig 6 ) or requires a roof penetration ( pergola or veranda ) you must use the Indoor flue kit part number: ODIDSSFLKT

Select the location for the appliance. This appliance must not be installed inside minimum clearances to the house and any combustibles materials as shown in Fig 1 & Fig 2

**WARNING: FAILURE TO FOLLOW THE MINIMUM CLEARANCE REQUIREMENTS MAY RESULT IN AN UNSAFE INSTALLATION.**

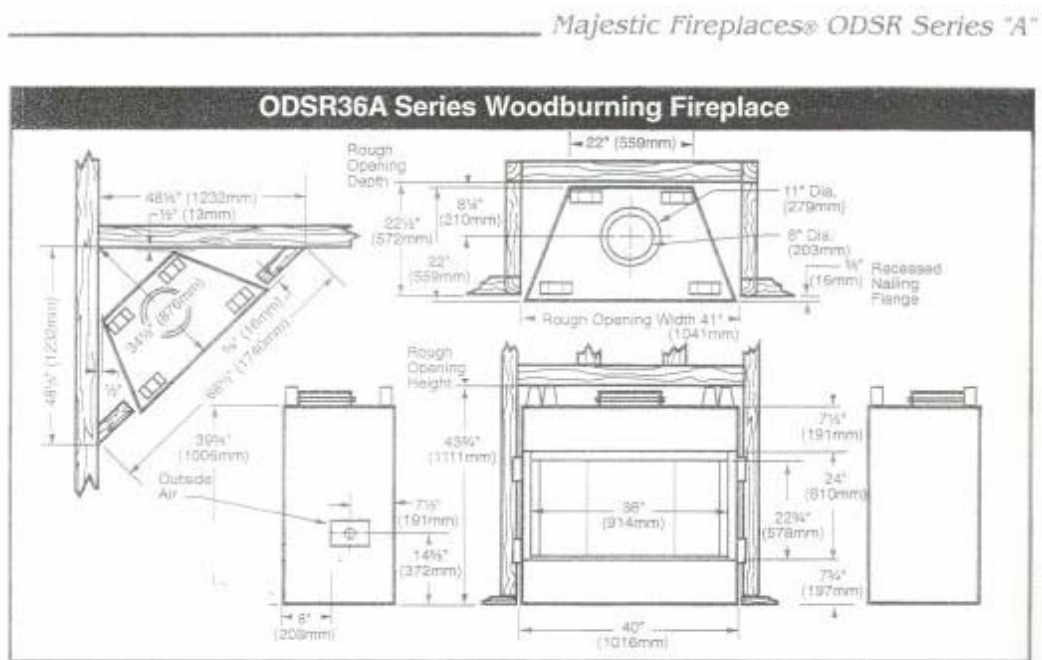


Fig 1 Specifications & Framing layout

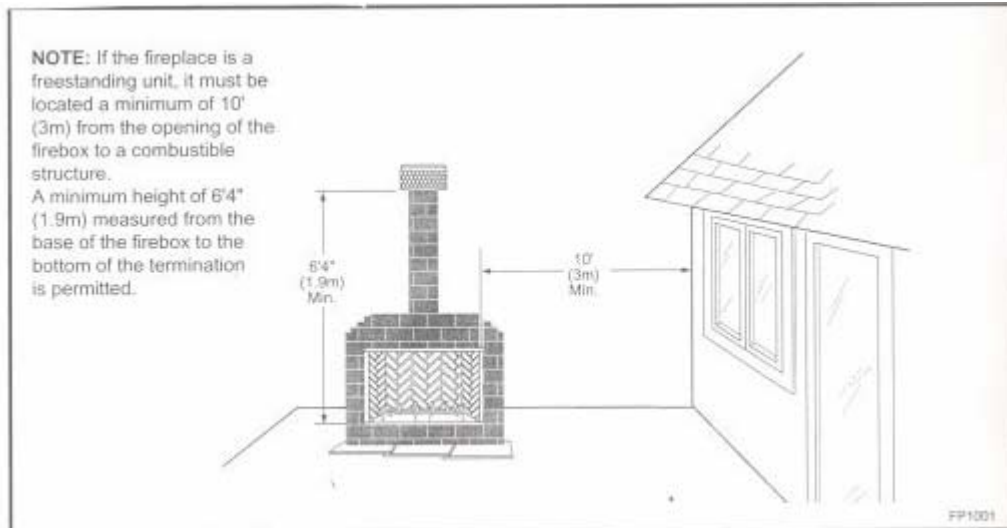


Fig 2 Free standing installation

**Note:** If the fire place is a free standing unit, it must be located a minimum of 3m from the opening of the fire box to combustibles structure. A minimum height of 1.9m measured from the base of the fire box to the flue termination cowl is permitted.

- **Planning Information**

Preplanning an installation is very important to ensure safety, and to save time and money. An installer must predetermine where a fireplace will be set and how the flue system will be run.

- **Mounting the Fireplace**

A fireplace may only be mounted on a non combustible surface.

The fire place must be spaced 13 mm from a combustible back wall and 13 mm from either side wall or support.

- **Framing**

**Option 1** Framing can be constructed before or after the fire place is set in place, however most installers build the frame prior to fitting the fire place in position Framing the fire place with 50 x 100 mm timber or heavier. Refer to Fig 1 for framing dimensions.

## Option 2

Brick or block work to create the fire place surround.

Use only **Raypak Outdoor flue kit part number: ODSSFLKT**  
or **Raypak Indoor / outdoor flue kit part number: ODIDSSFLKT**

Determine how the flue will be run, length of run and flue components required to complete the job. Never install a flue below minimum heights. In planning a flue system, it is important to know the following.

- 1 A flue cannot be offset more than 45 deg from a vertical plane.
- 2 A flue may run straight up or it may be necessary to offset it to avoid obstructions.
- 3 A maximum length of an angled run ( total flue system is 500mm )
- 4 No more than 2 offsets (2 total 45 deg c elbows ) per fireplace may be used.
- 5 A guy wire stabilizer is required for flue extended more than 1.8m above the roof line.

## • Flue Installation

Where the flue penetrates the roof a suitable flashing will be required.

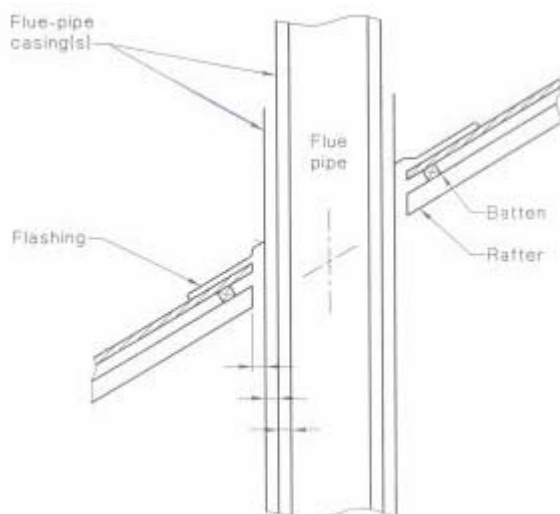


Fig 3

## Straight Up flue Installation

To mark the centre line of the flue , put the fireplace in final position and measure out from the wall 235mm. Mark a spot on the ceiling directly above the fireplace. Draw a line parallel to the back wall through this mark. (Refer Fig 4)

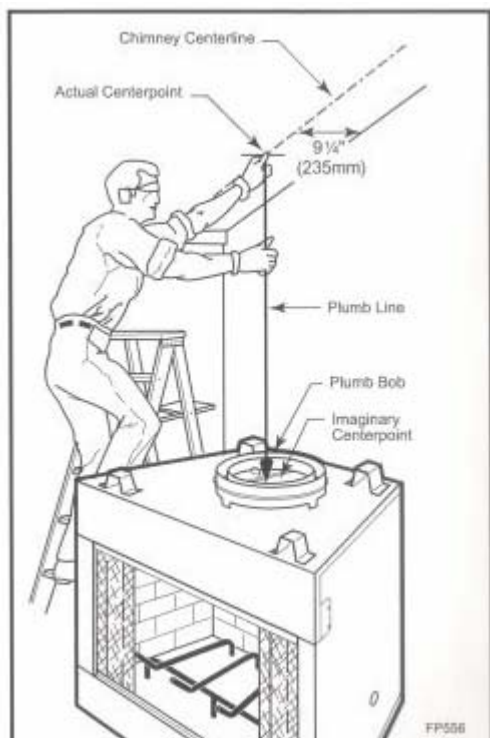


Fig 4. Locate centreline of flue with plumb line.

- **Offset Installation**

In order to clear an obstruction, it may be necessary to offset flue from vertical. This is accomplished by using 2 x 45 deg offsets elbows.

**Option 1:** Twin skin Raypak Offset kit part number: DSSSOKT

**Option 2:** Triple skin Raypak Offset kit part number: TSSSOKT

- **Positioning, safety Strips, Securing the fireplace.**

Slide the fire place into position. Four nailing flanges are incorporated on each corner of the surround. Bend the nailing flanges out, level the box, then secure it firmly in place by nailing the flanges to the framing members as shown in. Fig 14

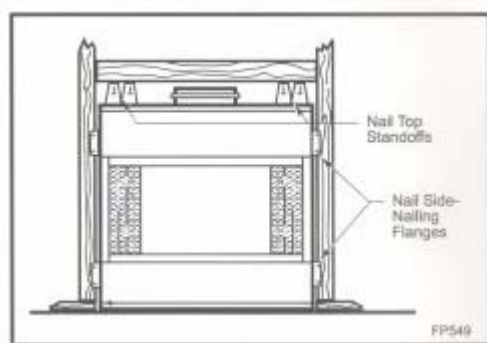


Fig 5 Fasten fireplace into position



- **Chase Installation**

A chase is a vertical boxlike structure which encloses the fireplace and flue. Chases are typically built on the outside of the house or free standing with fireplace opening cut into the outer wall of a room. (Fig 6) This structure with the exception of 10 mm externally ventilated air gap (total area 9,268 mm<sup>2</sup>) around the 285 mm flue casing at the ceiling penetration

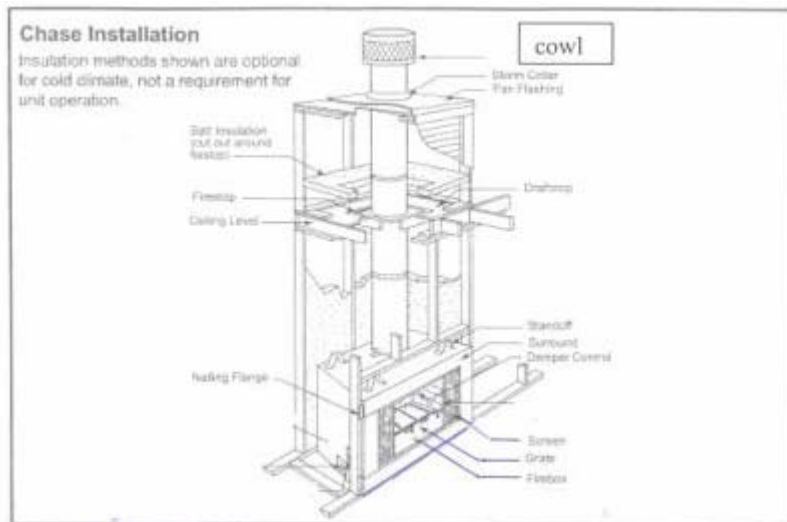


Fig 6 Fireplace and chase parts identification

- **Clearances**

The following information provides minimum clearances that are required when the installation is indoors or outdoors in a chase construction.

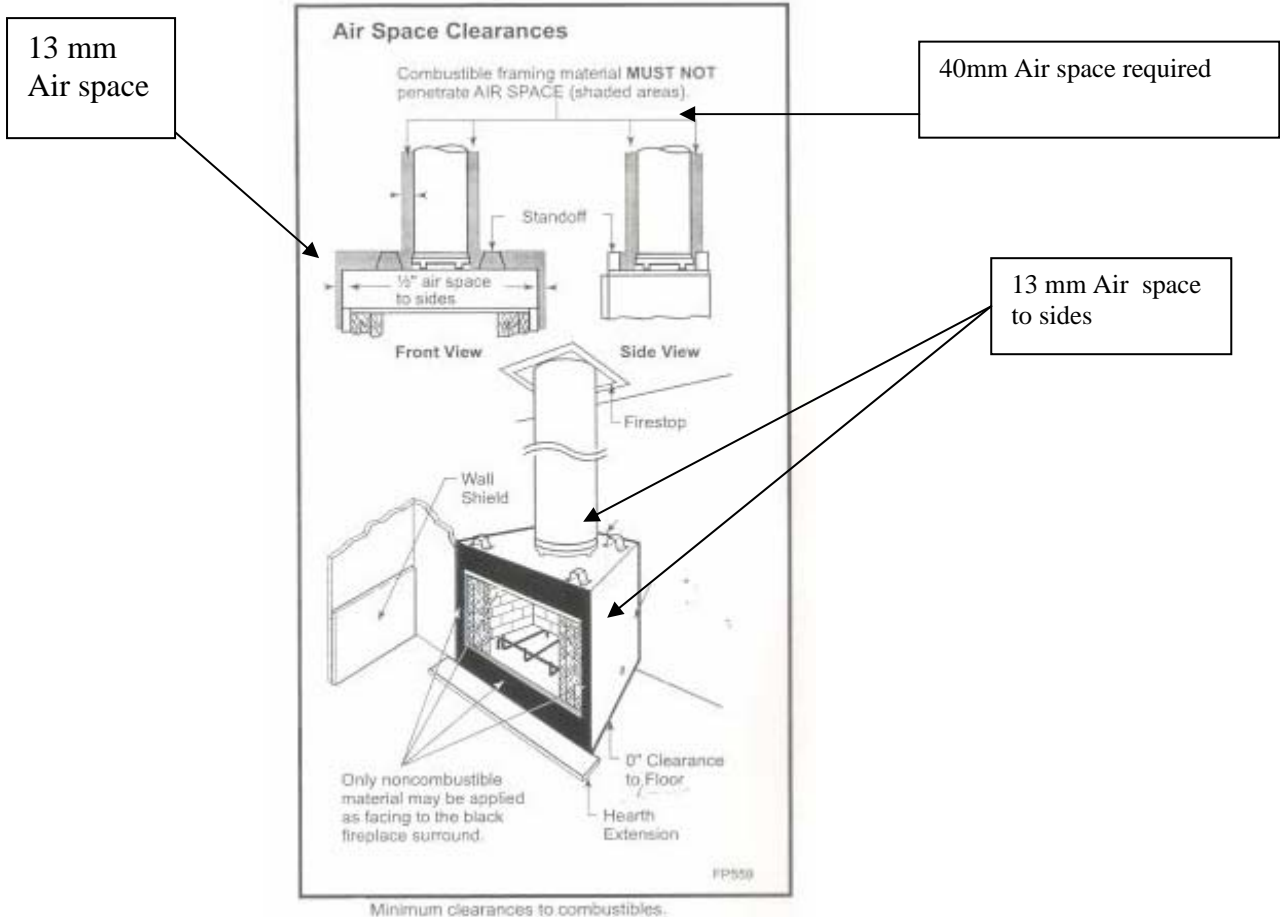


Fig 7 Minimum clearances to combustibles

Fire stop (ceiling ring) must provide a minimum of  $9300\text{mm}^2$  of venting of enclosure ( eg 10 mm gap around the outer flue casting at ceiling penetration ) where fireplace and flue casing are fully enclosed to ceiling level.

**Note:** The venting ring must be fitted in all cases when the flue leaves the fireplace enclosure to ensure the correct air flow around the case of the fire place.

## A typical flue installation

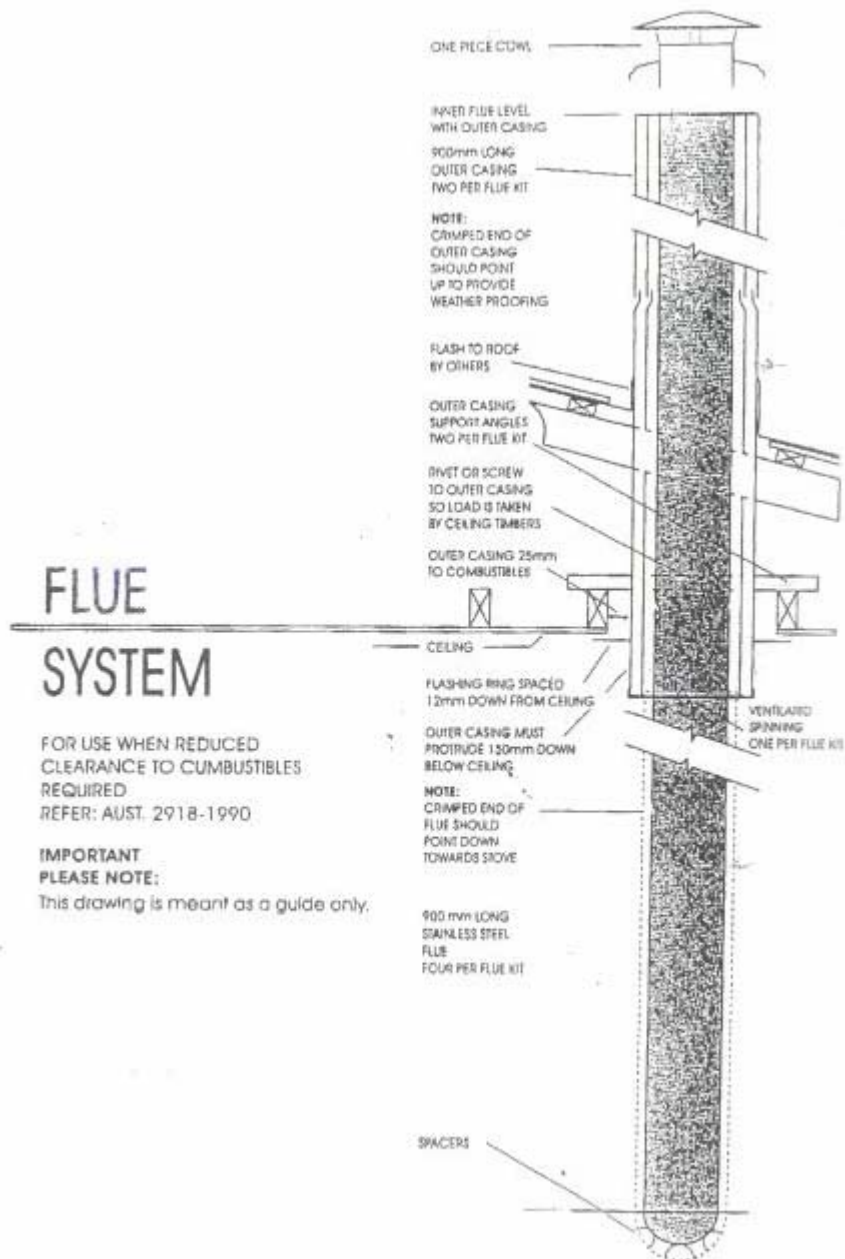


Fig 8

## Indoor Flue Kit - ODIDSSFLKT

### Contents

- 4 x 203 x 900mm ( 8" ) Stainless steel flue
- 1 x 203 x 150mm ( 8" ) Stainless steel flue adaptor
- 4 x 279 x 900mm ( 11" ) Stainless steel flue
- 2 x 305 x 900mm ( 12" ) Stainless steel flue
- 1 x Stainless steel ceiling ring
- 1 x Stainless steel 8" – 12 " adaptor ring
- 1 x Stainless steel cowl
- 2 x Support brackets
- 1 x Powder coated vented dress ring . # This vented dress ring will only be required to be used ( situated on top of the

fireplace enclosure to provide ventilation within the enclosure ) when the fireplace is in a free standing position and the flue is exposed above the fireplace housing, is applies for both Indoor and Outdoor installations

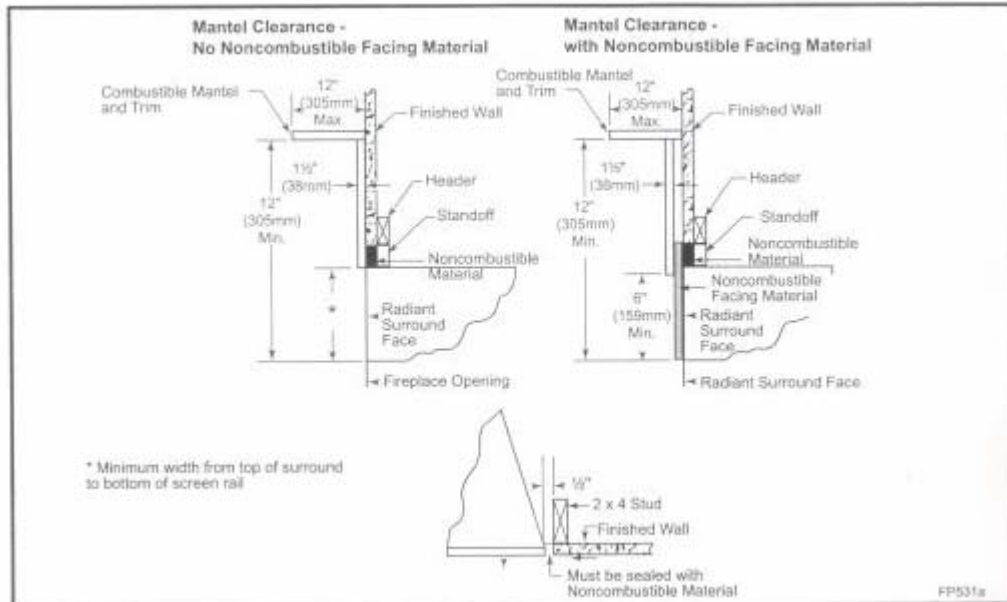


Fig 9

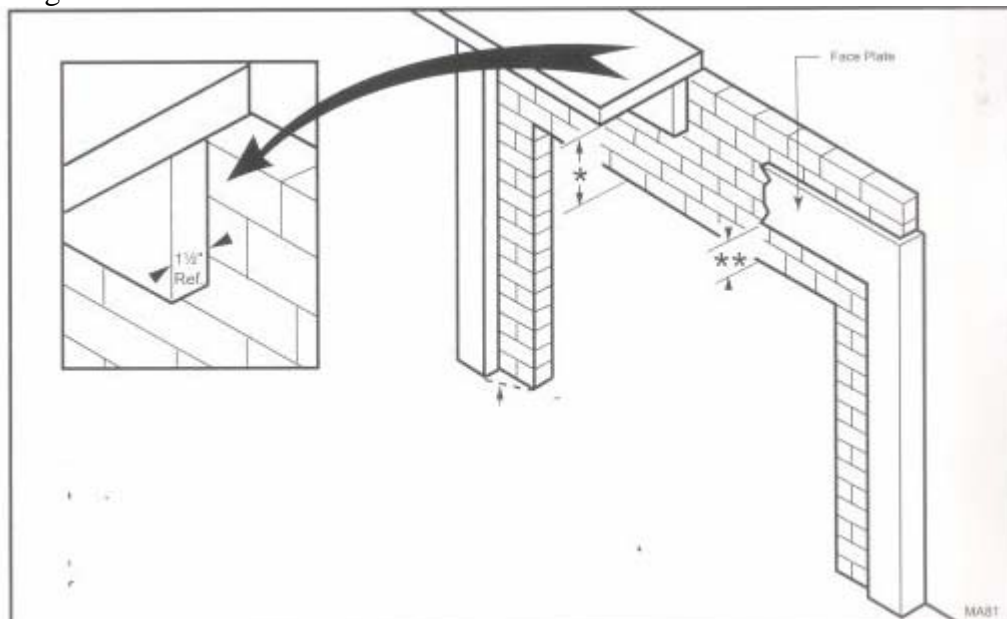


Fig 10

☆ 305 mm from top of fireplace for radiant models

☆ ☆ 115 mm from top of fire place opening for radiant models ( non combustibles material must separate the black face surrounds of the fireplace and any combustible mantel material ) the minimum perpendicular side wall clearance from the fireplace opening 400 mm.

- **Side Wall Protection**

Adjacent combustibles side walls that are within the minimum dimensions (shown in Fig 11 of fireplace opening must be protected by a non combustible materials.

- **Hearth installations**

A hearth extension is required to protect a combustible floor in front of the fireplace . refer Fig 13 for minimum dimensions and mounting details .**Note Hearth Extension must not cover the air inlet opening of the fire place.**

The hearth extension described in Fig 11 must be a durable non-combustible material with a minimum ( total ) Rt value of 1.09 refer to Fig 12 for examples . The overall height ( above a combustible floor ) ,depth and width must be indicated , with the extension centred to the fireplace opening. The top of the installation must be covered with a non-combustible decorative covering or a piece of 0.18" minimum sheet metal ,to protect hearth extension material Fig 11 Secure the hearth extension to the floor to prevent shifting , using trim moulding or other similar means at three ( 3 ) outer edges . Seal crack between the fireplace hearth and hearth extension with a non-combustible material Fig 11 & Fig 13

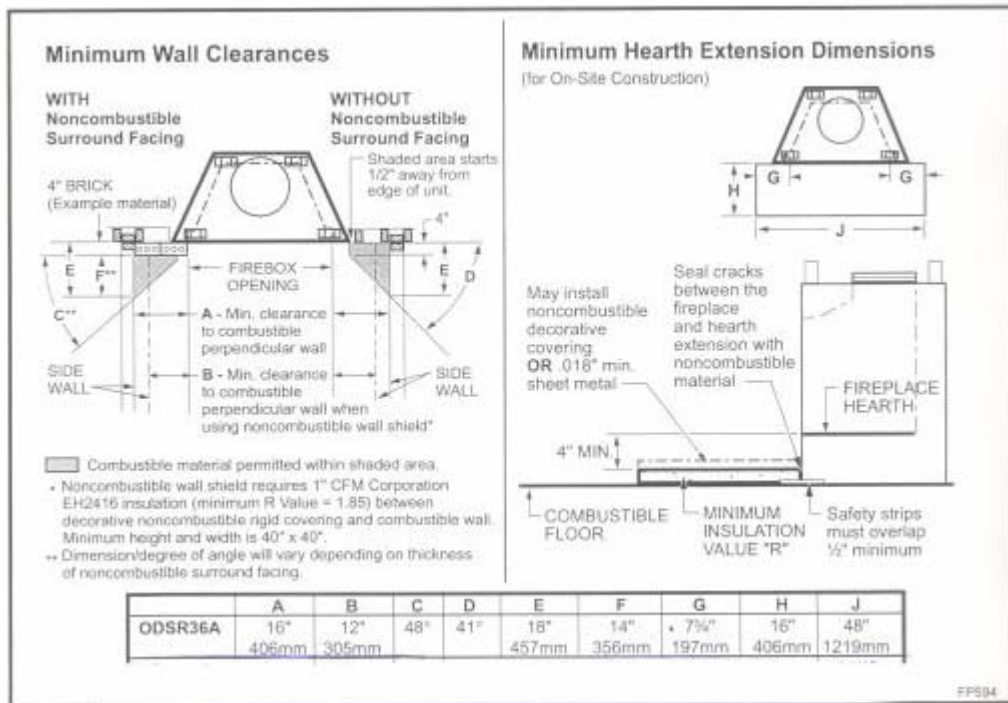


Fig 11 Combustible side wall protection and hearth extension dimensions

**NOTE:** In Australia a floor consisting of a 6 mm thick sheet of fibre cement with a thermal conductivity of 0.41 W/m degree K will be required to be extended in front of the 4000mm and 200 mm either side of the fire place opening is required.

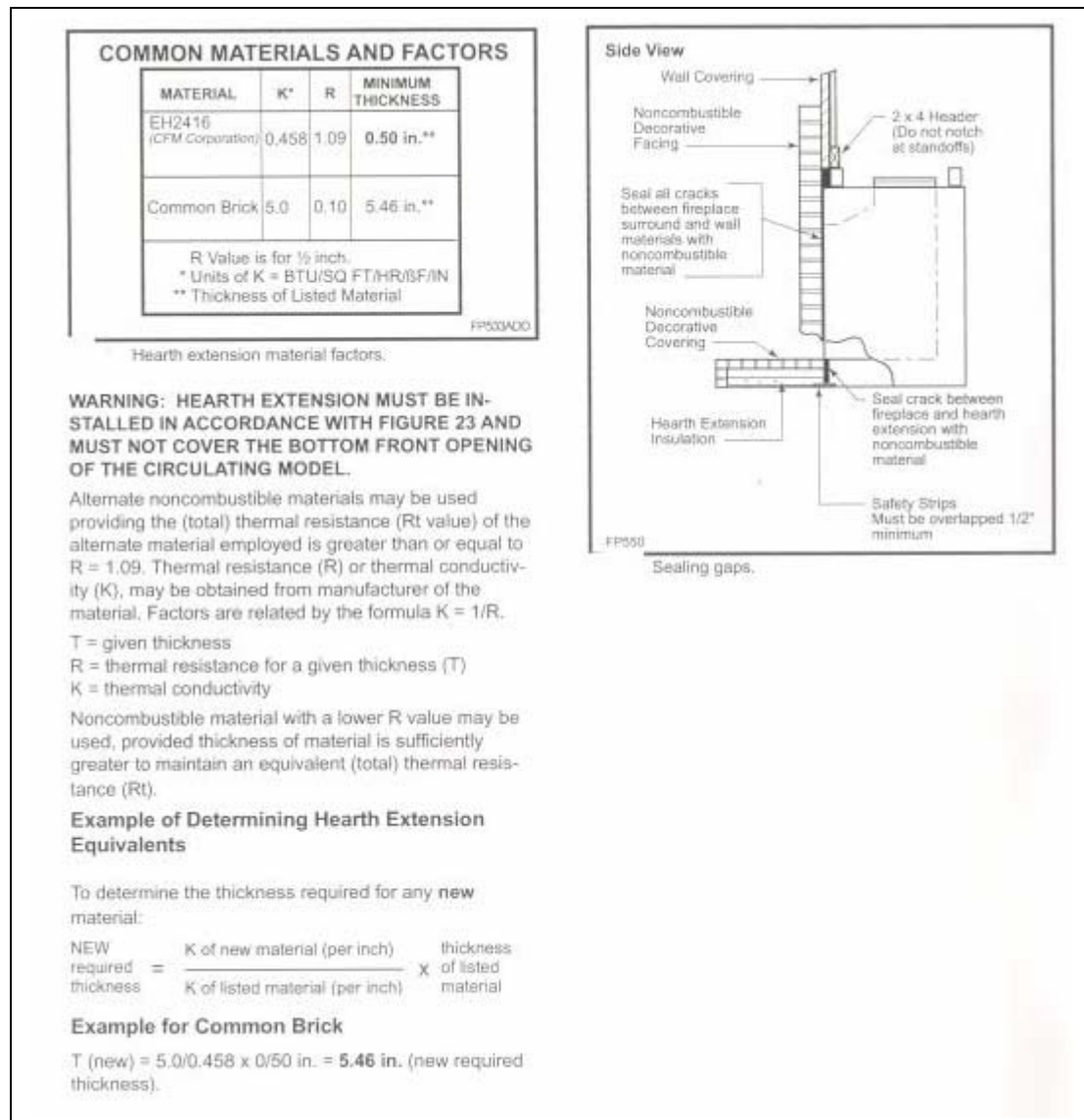


Fig 12

Fig 13

**Part 3: Warranty**

**RAYPAK WOOD FIRE WARRANTY  
- AUSTRALIA ONLY -**

**Rheem\* will:**

- a) Repair or, if necessary replace any Raypak Wood Fire, or
- b) Replace any component (or, if necessary, arrange the installation of a new wood fire ), which falls within the Warranty Periods specified below, in accordance with and subject to the following table, conditions and exclusions.

Installation	Model	Period	Warranty
<b>From date of installation</b>			
Indoor or Outdoor installation	ODSR36AI	Years 2	Raypak provide a warranty on any manufacture part with a 1 year labour warranty .
			Exclusion : If a glass weather proof Bi Fold door is fitted it does have a limited warranty of 90 days from the date of purchase.

**Notes:**

\* Rheem provides warranty service on behalf of Raypak Australia Pty Ltd.

\*\* Refer to item 5 of warranty conditions.

Rheem reserves the right to transfer fully functional components from the defective wood fire to the replacement wood fire if required.

In addition to this warranty, the Trade Practices Act 1974 and similar laws in each state and territory provide the owner under certain circumstances with certain minimum statutory rights in relation to your Raypak wood fire. This warranty must be read subject to that legislation and nothing in this warranty has the effect of excluding, restricting or modifying those rights.

<p><b>RHEEM AUSTRALIA PTY LTD</b> A.B.N 21 098 823 511 <b>RAYPAK AUSTRALIA PTY LTD</b> A.B.N 65 078 743 414</p>	<p>FOR SERVICE TELEPHONE <b>131 031 AUSTRALIA</b> <b>0800 657 335 NEW ZEALAND</b> or refer local Yellow Pages</p>
---	---

## **WARRANTY CONDITIONS**

1. This warranty is applicable only to model ODSR36A wood fire manufactured from 1<sup>st</sup> March 2005.
2. The wood fire must be installed in accordance with the Raypak installation instructions, supplied with the wood fire, and in accordance with all relevant statutory and local requirements of the State in which the wood fire is installed.
3. This wood fire must be installed by a licensed person.
4. Where a failed component or wood fire is replaced under warranty, the balance of the original warranty period will remain effective. The replaced part or wood fire does not carry a new warranty.
5. Where the wood fire is installed outside the boundaries of a metropolitan area as defined by Rheem or further than 25 km from a regional Rheem branch office, or an Accredited Service Agent, the cost of transport, Insurance and travelling costs between the nearest Rheem Accredited Service Agent's premises and the installed site shall be the owner's responsibility.
6. The warranty only applies to the wood fire and original or genuine (company) component replacement parts and therefore does not cover any plumbing or electrical parts supplied by the installer and not an integral part of the wood fire, e.g. ; glass weather doors.

## **WARRANTY EXCLUSIONS**

1. REPAIR AND REPLACEMENT WORK WILL BE CARRIED OUT AS SET OUT IN THE RAYPAK WOOD FIRE WARRANTY, HOWEVER THE FOLLOWING EXCLUSIONS MAY CAUSE THE WOOD FIRE WARRANTY TO BECOME VOID AND MAY INCUR A SERVICE CHARGE AND / OR COST OF PARTS.

- (a) Accidental damage to the wood fire or any component, including: Acts of God; failure due to misuse; incorrect installation; attempts to repair the wood fire other than by a Rheem Accredited Service Agent or the Rheem Service Department.
- (b) Where it is found there is nothing wrong with the wood fire; where the complaint is related to fluing, water leaks and are related to plumbing and not the wood fire and do not comply with relevant codes or acts.
- (c) Where the wood fire is located in a position that does not comply with the Raypak wood fire installation instructions or relevant statutory requirements, causing the need for major dismantling or removal of cupboards, doors or walls, or use of special equipment to bring the wood fire to floor or ground level or to a serviceable position.
- (d) Repairs to the wood fire due to scale formation in the flue ways where the chemistry is outside of the guidelines detailed in the Owner's Guide and Installation Instructions booklet.

SUBJECT TO ANY STATUTORY PROVISIONS TO THE CONTRARY, THIS WARRANTY EXCLUDES ANY AND ALL CLAIMS FOR DAMAGE TO FURNITURE, CARPETS, WALLS, FOUNDATIONS OR ANY OTHER CONSEQUENTIAL LOSS EITHER DIRECTLY OR INDIRECTLY DUE TO THE OPERATION OF THE WOOD FIRE WORKMANSHIP OR OTHER

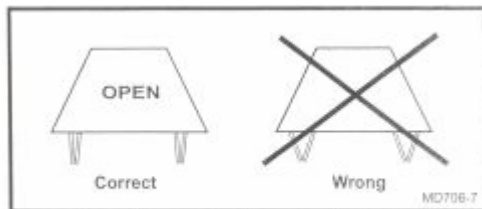


## Part 4: Additional Accessories

ODSR36A Stainless steel twin skin extension flue kit:

1 x 279mm x 900 mm stainless steel flue	DSSSEXKT
Offset Flue Kit (Twin skin)	DSSSOKT
Offset Flue Kit (Triple skin)	TSSSOKT
Stainless Steel Bi Fold glass Door set	36GDKSSSR

**Note:** The Stainless Steel Bi Fold Door accessory is to act as a weather protection device only, and must stay in the open position at all times while the fire is lit.



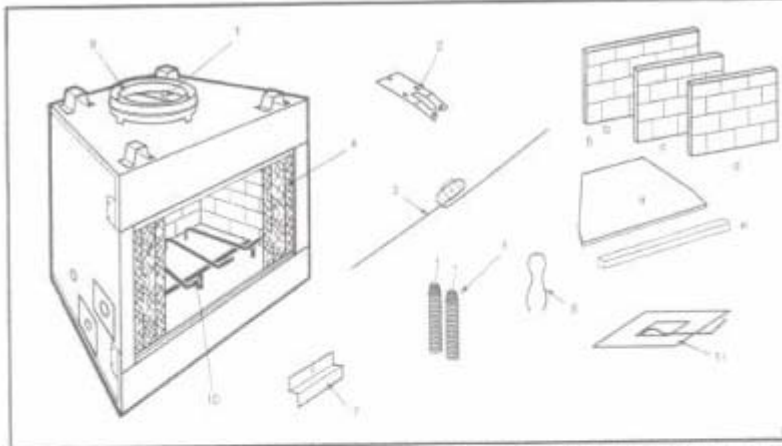
Correct door position during operation.

Stainless Steel Triple Skin Extension Flue Kit:

- 1 x 203mm x 900mm stainless steel flue
- 1 x 279mm x 900mm stainless steel flue
- 1 x 305mm x 900mm stainless steel flue

## Part 5: Spare parts List

Majestic Fireplaces® ODSR Series™



Majestic Castings, Majestic Products reserves the right to make changes in design, materials, specifications, sizes and descriptive text and products at any time, without notice.

### ODSR36A Outdoor Woodburning Fireplace

Item/Model Number	ODSR36A
1. Damper Weld Assembly	8P198
2. Damper Bracket	3000178
3. Screen Flange Assembly	20005828
4. Screen Assembly (two per fireplace)	20005833
5. Screen Pins	20002225
6a. Firebrick - Haarth	20005821
6b. Firebrick - Rear	20005827
6c. Firebrick - Right Side	20005826
6d. Firebrick - Left Side	20005825
6e. Firebrick - Ashtray	20005819
7. Top Brick Resteners (two per fireplace)	3000172
8. Cable Caps (four per fireplace)	20006809
9. Outer Collar Assembly (36x Chimney)	3020142
10. Basket Grate	20006707
11. O.S.A. Assy	20003078

#### Distributed by:

Raypak Australia  
 ( Division of Rheem Australia Pty Ltd )  
 39 Koornang Road  
 Scoresby Vic 3179  
 Ph 03 9757 3333  
 Fax 03 9757 3350  
 ABN 65078 743 414